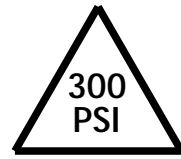
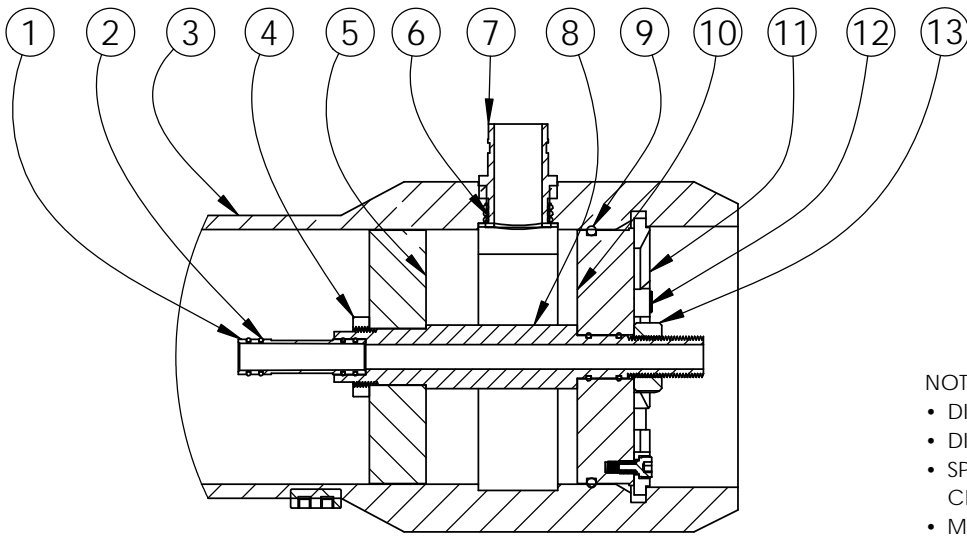


CENTER VESSEL ON 2 SUPPORTS AT SPANS "E"
 3 SUPPORTS ARE REQUIRED FOR LENGTHS 4 AND OVER



- NOTES:
- DIMENSIONS IN MILLIMETERS(MM).
 - DIMENSIONS FOR REFERENCE ONLY.
 - SPECIFICATIONS SUBJECT TO CHANGE WITHOUT NOTICE.
 - MAERIALS MAY DIFFER BASED ON REQUIREMENT.

SECTION THROUGH END CLOSURE

DWG REF	QTY	DESCRIPTION	MATERIAL
①	2	Membrane Connector	Engineering ThermoPlastic
②	8	Inter connector seal	Silicon O Ring
③	1	FRP Shell	Filament Wound Composite (FRP)
④	2	End Support Nut	Engineering ThermoPlastic
⑤	2	Supporting Block	Engineering Thermo Plastic
⑥	2	Feed Port Seal	Stainless Steel 304
⑦	2	Feed Port	Stainless Steel 304
⑧	2	Permeate Port	Engineering Thermo Plastic
⑨	2	EndCap Seal	Silicon O Ring
⑩	2	Endcap	Engineering Thermo Plastic
⑪	6	Lockplate	Stainless Steel 304
⑫	6	LockPlate Screw	M10 - SS 304
⑬	2	Permeate Port Nut	Engineering Thermo Plastic

Shell Element Code	L Length mm	P Span mm	S Shell Dia OD mm	D Bell Dia OD mm
1	1565	1225	212	253
2	2581	2241	212	253
3	3608	3257	212	253
4	4722	4372	212	253
5	5738	5388	212	253
6	6755	6405	212	253

MODEL ALFA AEROSOL 80S-E

Manufactured By:



DWG. 6078008

SHEET 1 OF 1