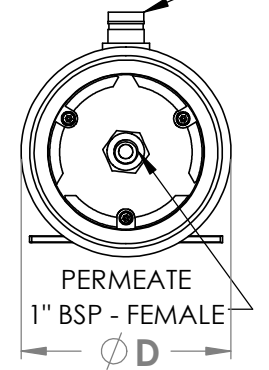
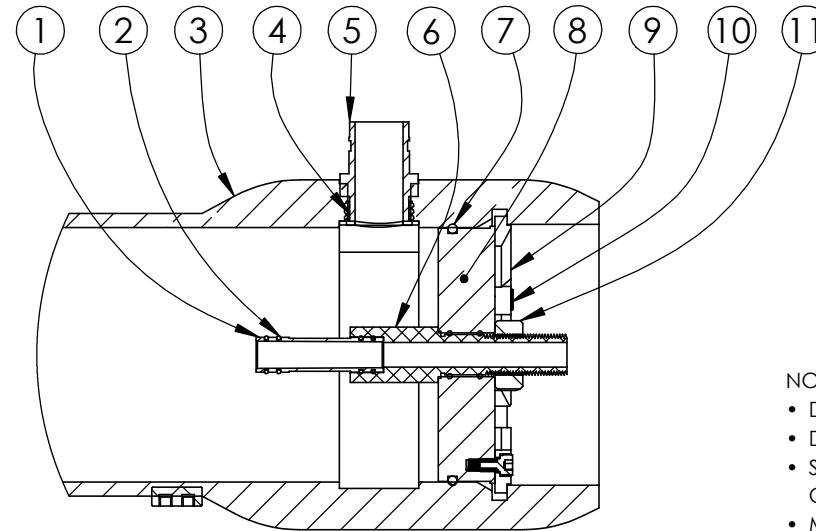


FEED / CONCENTRATE
1 1/2" IPS PIPE
(Grooved End)



CENTER VESSEL ON 2 SUPPORTS AT SPANS "E"
3 SUPPORTS ARE REQUIRED FOR LENGTHS 4 AND OVER

SIDEPORT



**450
PSI**

NOTES:

- DIMENSIONS IN MILLIMETERS(MM).
- DIMENSIONS FOR REFERENCE ONLY.
- SPECIFICATIONS SUBJECT TO CHANGE WITHOUT NOTICE.
- MAERIALS MAY DIFFER BASED ON REQUIREMENT.

SECTION THROUGH END CLOSURE

DWG REF	QTY	DESCRIPTION	MATERIAL
①	2	Membrane Connector	Engineering ThermoPlastic
②	8	Inter connector seal	Silicon O Ring
③	1	FRP Shell	Filament Wound Composite (FRP)
④	2	Feed Port Seal	Stainless Steel 304
⑤	2	Feed Port	Stainless Steel 304
⑥	2	Permeate Port	Engineering Thermo Plastic
⑦	2	EndCap Seal	Silicon O Ring
⑧	2	Endcap	Engineering Thermo Plastic
⑨	6	Lockplate	Stainless Steel 304
⑩	6	LockPlate Screw	M10 - SS 304
⑪	2	Permeate Port Nut	Engineering Thermo Plastic

Shell Element Code	L Length mm	P Span mm	S Shell Dia OD mm	D Bell Dia OD mm
1	1448	1099	214	257
2	2465	2116	214	257
3	3483	3133	214	257
4	4495	4150	214	257
5	5515	5167	214	257
6	6532	6184	214	257

MODEL ALFA AEROSOL 80S-E

Manufactured By:



DWG. 6078008-2

SHEET 1 OF 1